

LIT UP LIGHTING

ASSEMBLY INSTRUCTION

Camrose Item No.: LIT7609BK-GD-3CCT

ATTENTION:

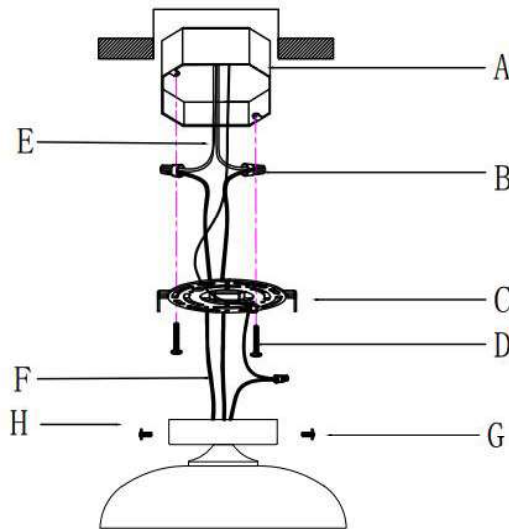
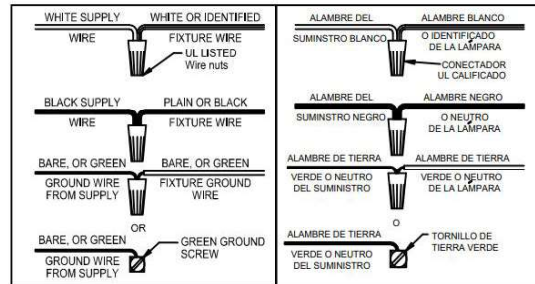
FIXTURE INSTALLATION MUST BE DONE BY LICENSED ELECTRICIAN.
 SHUT OFF POWER SUPPLY AT FUSE OR CIRCUIT BREAKER.
 USE ONLY THE SPECIFIED BULBS AND DO NOT EXCEED THE MAXIMUM WATTAGE.

BEFORE YOU INSTALL:

1. Check the fixture frame for any physical damage
2. Check all parts to ensure they are not damaged or missing
3. Test all sockets with a bulb for conductivity before “dressing” the fixture
4. If there is any problem, please do not install the fixture, please contact the vendor and solve the problem first.

Assembly Steps

1. C. D ———— A
2. E. F ———— B
3. G. H ———— C



Parts included		
Code	Part Description	QTY
A	Junction box	0
B	Wire nuts	3
C	Mounting bracket	1
D	Studs	2
E	Leading wires	2
F	Wires	2
G	Screws	2

NOTE: Unscrew the lamp cover, adjust it to proper light, and then tighten the lamp cover.

3COLOURS CHANGING PRESETS :3000K-4000K-6000K 1 level is 3000K, 2 level is 4000K, 3 level is 6000K.(see switch for details.)

