



LIT3022BK-CL



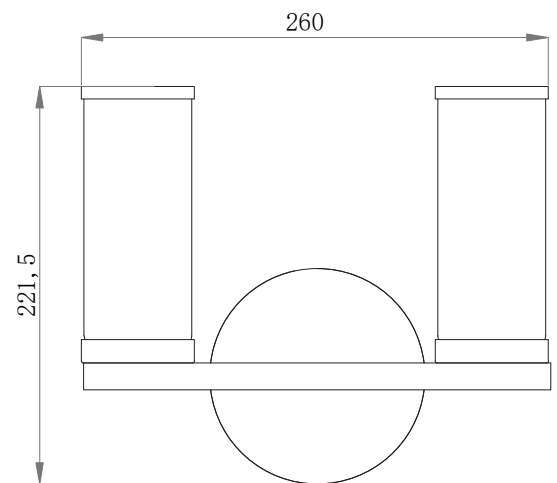
**DESCRIPTION**

2-light vanity in black finish with clear glass

**SPECIFICATION DETAILS**

\* For custom options, consult factory for details.

<b>UPC BAR CODE</b>	710702917284
<b>Diameter</b>	N/A
<b>Width in "</b>	10.3"
<b>Depth</b>	4"
<b>Frame Height</b>	8.6"
<b>Min Height</b>	8.6"
<b>Maximum Height</b>	8.6"
<b>Light source detail</b>	2X60W
<b>Lumens for Led</b>	N/A
<b>Color Temp</b>	N/A
<b>Bulb Rating for each Socket</b>	60W
<b>Bulb Base</b>	E12
<b>Bulb Type</b>	Candelabara
<b>Wire</b>	N/A
<b>ADA</b>	YES
<b>Suitable for location</b>	Indoor
<b>Dual Mount</b>	NO



COMMENT