

# LIT UP LIGHTING

## ASSEMBLY INSTRUCTION

**Brantwood Item No: LIT4209BK+MC**

**ATTENTION:**

FIXTURE INSTALLATION MUST BE DONE BY LICENSED ELECTRICIAN.

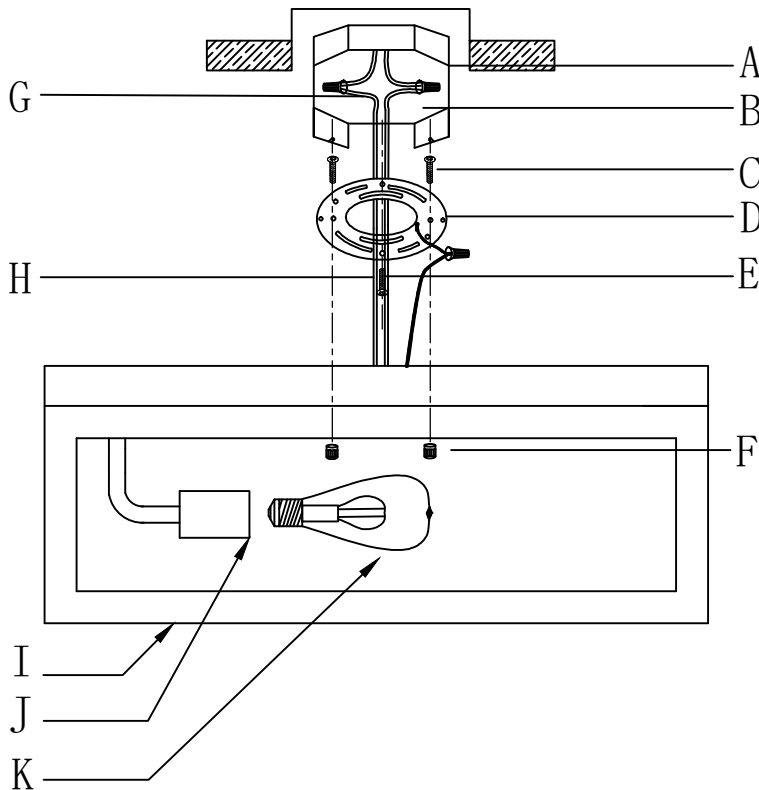
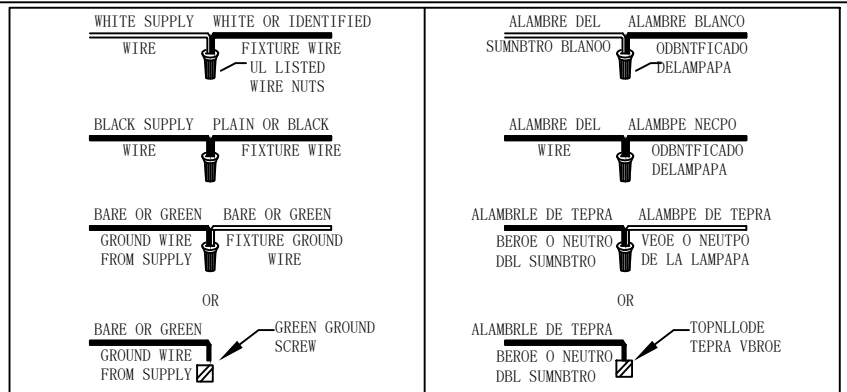
SHUT OFF POWER SUPPLY AT FUSE OR CIRCUIT BREAKER.

USE ONLY THE SPECIFIED BULBS AND DO NOT EXCEED THE MAXIMUM WATTAGE.

**BEFORE YOU INSTALL:**

1. Check the fixture frame for any physical damage
2. Check all parts to ensure they are not damaged or missing
3. Test all sockets with a bulb for conductivity before "dressing" the fixture
4. If there is any problem, please do not install the fixture, please contact the vendor and solve the problem first.

1. E. D → A
2. G. H → B
3. F. C → I
4. K → J



Part included		
QTY	Part Description	Code
0	Junction box	A
3	Wires nuts	B
2	Mounting screws	C
1	Mounting bracket	D
2	Studs	E
2	Ball nuts	F
0	Leads wires	G
2	Wires	H
1	Frame	I
2	Socket	J
2	Lighting bulb	K